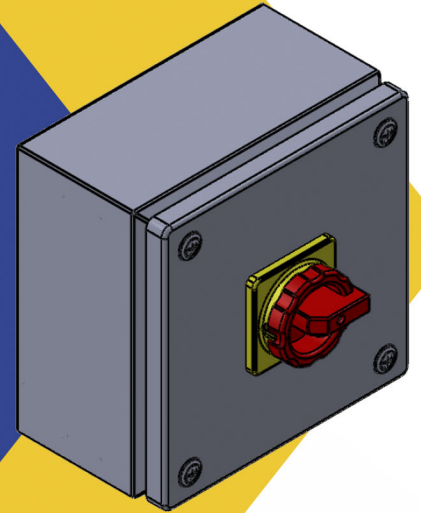
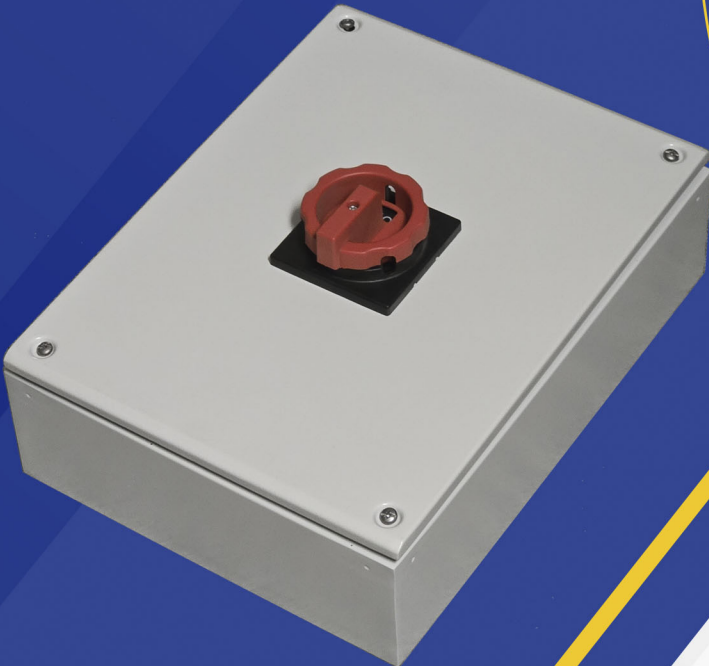




ELECTRICAL COMPONENTS

sontheimer Disconnect Switches in Stainless Steel & Steel Enclosures

- 16A to 250A
- 3, 4 and 6 Poles



Disconnect Switches in Steel and Stainless Steel Enclosures

ITC introduces new version of our popular Sontheimer disconnect switches (Types RLO & RLT) with mild steel and stainless steel enclosures.

Features and specifications:

- Red/Yellow Padlockable handle to prevent unauthorized use
- 3 Enclosure sizes depending on size of switch (mild steel: B1, B2, B3; stainless steel A1, A2, A3)
- 3, 4, and 6 pole versions available
- Auxiliary and neutral contact blocks available
- Protection: IP65, Type 4, 4X
- Approvals: UL, CSA, VDE

RLO & RLT Disconnect Switches in Steel Enclosures (Order by Part No.)

Switch Size	3 Pole Part No.	4 Pole Part No.	6 Pole Part No.*
16	LBS-RLO16/3B1/Z33GB	LBS-RLO16/4B1/Z33GB	LBS-RLO16/6B2/Z33GB
25	LBS-RLO25/3B1/Z33GB	LBS-RLO25/4B1/Z33GB	LBS-RLO25/6B2/Z33GB
32	LBS-RLO32/3B1/Z33GB	LBS-RLO32/4B1/Z33GB	LBS-RLO32/6B2/Z33GB
40	LBS-RLO40/3B1/Z33GB	LBS-RLO40/4B1/Z33GB	LBS-RLO40/6B2/Z33GB
63 (RLO)	LBS-RLO63/3B1/Z33GB	LBS-RLO63/4B1/Z33GB	LBS-RLO63/6B2/Z33GB
63 (RLT)	LBS-RLT63/3B1/Z33GB	LBS-RLT63/4B2/Z33GB	LBS-RLT63/6B3/Z33GB
80	LBS-RLT80/3B2/Z33GB	LBS-RLT80/4B2/Z33GB	LBS-RLT80/6B3/Z33GB
100	LBS-RLT100/3B2/Z33GB	LBS-RLT100/4B3/Z33GB	LBS-RLT100/6B3/Z33GB
125	LBS-RLT125/3B2/Z33GB	LBS-RLT125/4B3/Z33GB	LBS-RLT125/6B3/Z33GB
180	Consult ITC	Consult ITC	Consult ITC
250	Consult ITC	Consult ITC	Consult ITC

Information subject to change without notice

* Special order

RLO & RLT Disconnect Switches in Stainless Steel Enclosures (Order by Part No.)

Switch Size	3 Pole Part No.	4 Pole Part No.	6 Pole Part No.*
16	LBS-RLO16/3V2A1/Z33GB	LBS-RLO16/4V2A1/Z33GB	LBS-RLO16/6V2A2/Z33GB
25	LBS-RLO25/3V2A1/Z33GB	LBS-RLO25/4V2A1/Z33GB	LBS-RLO25/6V2A2/Z33GB
32	LBS-RLO32/3V2A1/Z33GB	LBS-RLO32/4V2A1/Z33GB	LBS-RLO32/6V2A2/Z33GB
40	LBS-RLO40/3V2A1/Z33GB	LBS-RLO40/4V2A1/Z33GB	LBS-RLO40/6V2A2/Z33GB
63 (RLO)	LBS-RLO63/3V2A1/Z33GB	LBS-RLO63/4V2A1/Z33GB	LBS-RLO63/6V2A2/Z33GB
63 (RLT)	LBS-RLT63/3V2A2/Z33GB	LBS-RLT63/4V2A2/Z33GB	LBS-RLT63/6V2A3/Z33GB
80	LBS-RLT80/3V2A2/Z33GB	LBS-RLT80/4V2A2/Z33GB	LBS-RLT80/6V2A3/Z33GB
100	LBS-RLT100/3V2A3/Z33GB	LBS-RLT100/4V2A3/Z33GB	LBS-RLT100/6V2A3/Z33GB
125	LBS-RLT125/3V2A3/Z33GB	LBS-RLT125/4V2A3/Z33GB	LBS-RLT125/6V2A3/Z33GB
180	Consult ITC	Consult ITC	Consult ITC
250	Consult ITC	Consult ITC	Consult ITC

Information subject to change without notice, * Special order

UL Ratings

All Sontheimer disconnect switches are suitable for use as a motor disconnect.

RLO Disconnect Switches

Size	General Use Rating		Motor Rating (UL, CSA)					
			HP		HP			
	1 Phase	3 Phase	1 Phase		3 Phase			
	0 - 240V	0 - 600V	120V	240V	120V	240V	480V	600V
16	16A	16A	0.5	1.5	1	3	7.5	10
25	25A	25A	2	3	3	7.5	10	15
32	32A	32A	2	3	3	10	20	22
40	40A	32A	2	4	5	10	20	20
63	50A	32A	3	10	5	15	25	30

Wire gauge for all above models is 14-6 AWG

Short circuit rating for all the above is 5kA

Tightening torque for all the above is 3.0 Nm

Information subject to change without notice

RLT Disconnect Switches

Size	General Use Rating 3 Phase 0-600V	Wire Range		Motor Rating (UL, CSA)			
				Short Circuit Rating	HP 3 Phase		
		AWG	mm ²		240V	480V	600V
63	63A	14 - 6	2.5 - 16	◇	15	40	50
80	63A	14 - 6	2.5 - 16	◇	15	40	50
100	100A	12 - 1	4 - 50	□	30	60	75
125	125A	12 - 1	4 - 50	□	40	75	100
180	180A	1/0-3/0	50 - 95	□	40	75	50
250	250A	250-400 MCM	127-202	□	50	100	75

◇ 5 kA short circuit rating at 600V, when protected by 175A class RK5 fuse or by a combination motor controller rated maximum 50hp at 600Vac

□ 10kA short circuit rating at 600V, when protected by 200A class RK5 fuse

Tightening torque for 63 to 125A is 3.0 Nm, for 180 & 250A is 10.0 Nm.ppcroquet

Information subject to change without notice

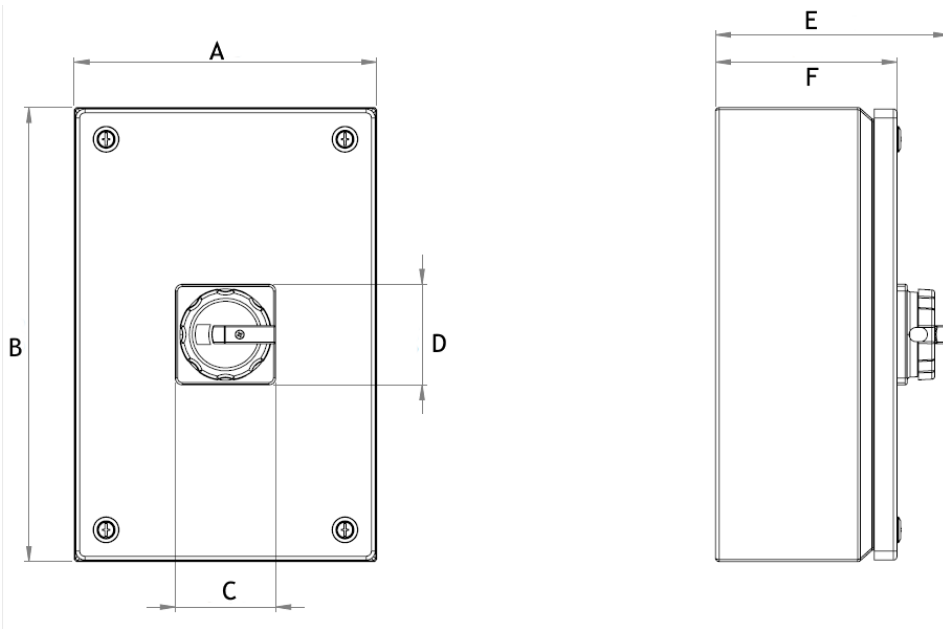


LBS-RLO32/3B1/Z33GB



LBS-RLT63/3B1/Z33SW

Enclosure Dimensions



Enclosure Dimensions in mm

Enclosure Size	A	B	C	D	E	F
A1	200	200	66.4	66.4	154.1	120
A2	200	300	66.4	66.4	154.2	120
A3	300	400	90	90	165.2	120
B1	150	200	66.4	66.4	154.1	120
B2	200	300	90	90	165.2	120
B3	300	400	90	90	165.2	120

Information subject to change without notice